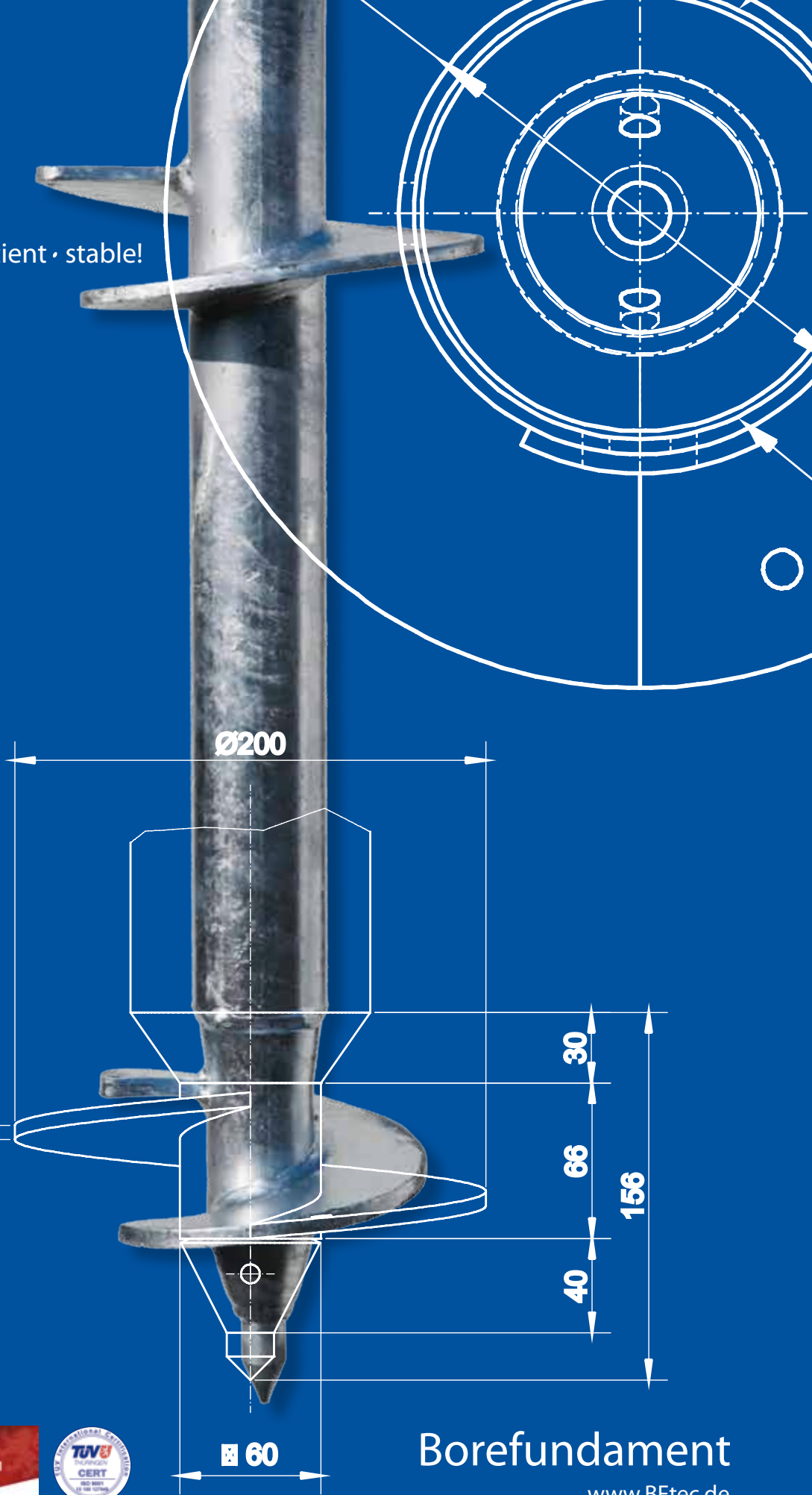
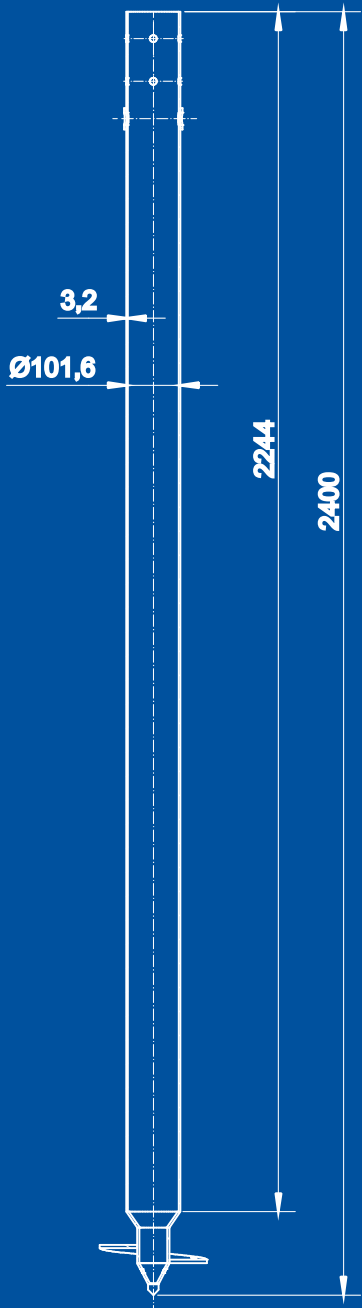




innovative · efficient · stable!



Borefundament

www.BFtec.de

The **BFtec Borefundament** for mounting and tracking systems! Timesaving, economical... ... sustainable!



Trust in Steel and use the advantages of our Borefundaments. For your project our Borefundaments can be anchored permanently and safely with little costs and material requirement regardless of the soil texture. With regard to ecological aspects the Borefundament is developed and produced individually for different soils and subconstructions.

The installation is quick and easy. The future-oriented fundement-system offers an excellent stability for your project. Our Borefundaments are used amongst others for photovoltaic units, solar heat units and in the landfill construction sector.



Easy Installation of the Borefundaments. Simple Drilling in with a hydraulic excavator



No matter which size you need, the Borefundament can be anchored in almost every ground



High flexibility by individual solutions for example by a Borefundament with a cylinder for even more stability in the ground!

The Advantages at a glance:

- environmentally friendly
- able to carry heavy loads immediately after installation
- no complex road construction is necessary
- easy deconstruction
- hardly earth-moving
- hardly soil sealing
- individual use of towers with various diameters
- Borefundaments can be used in any soil
- easy adjustment of the towers as with a conventional concrete fundement
- frost resistant
- low costs per fundement
- future-oriented
- low need of machinery

With these advantages you are one step ahead in the international market!

Feel free to contact us:

We would be glad to personally answer your questions on our Borefundaments or to provide information on up-to-date reference objects.



The Borefundament can be used amongst others for...



... photovoltaic units (tracking systems)



... photovoltaic units (mounting systems)



... solar heat units



BFtec GmbH
Parkstraße 2
36269 Philippsthal

Tel.: + 49 (0) 6620-91 80 40
Fax: + 49 (0) 6620-91 80 420

E-Mail: info@BFtec.de
Web: www.BFtec.de