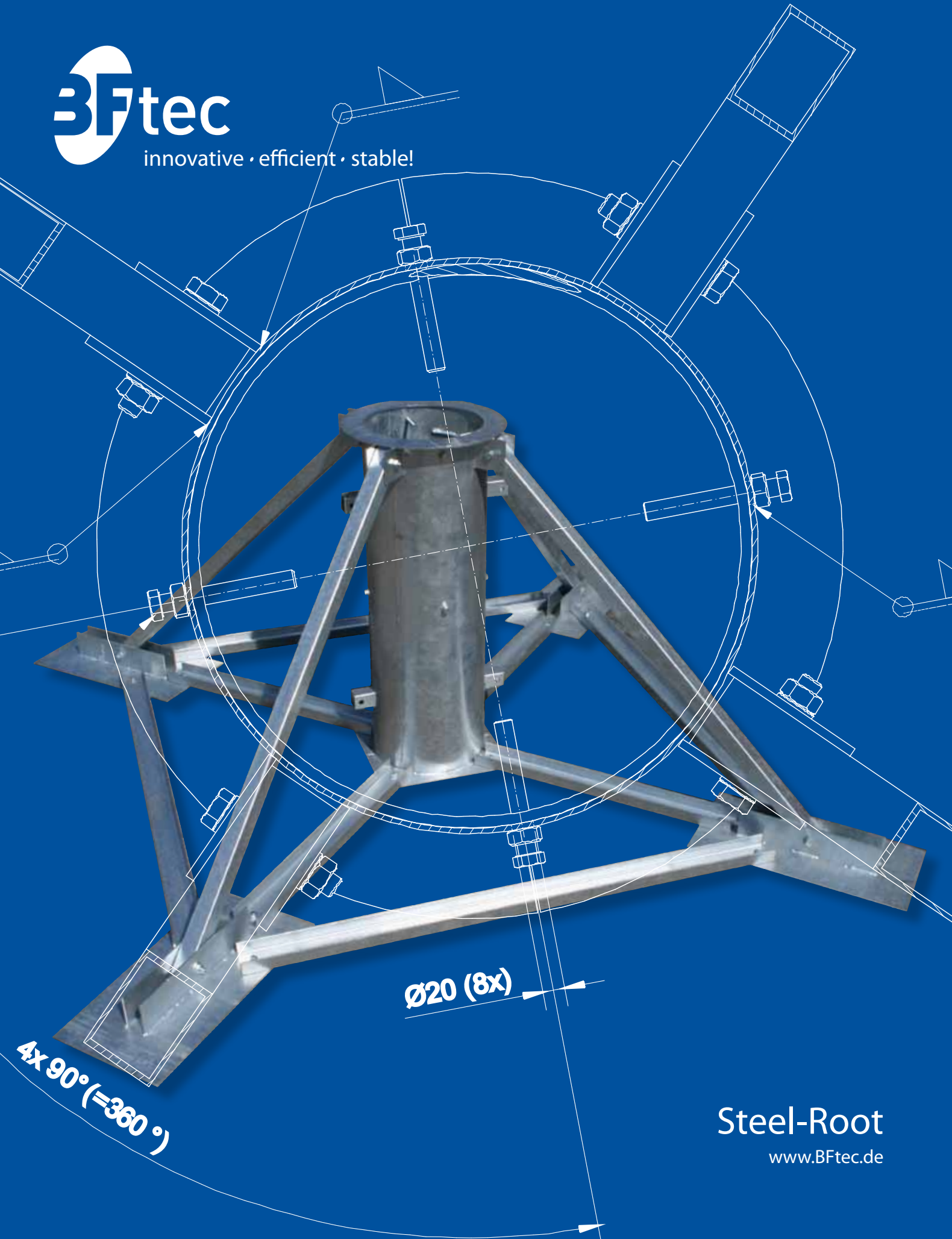




innovative · efficient · stable!



Ø20 (8x)

4x 90° (=360°)

Steel-Root

[www.BFtec.de](http://www.BFtec.de)

The **BFtec Steel-Root!**

# Heavy loads ... ... deeply rooted!

Are you looking for a strong, safe and cost effective alternative to a concrete foundation for your building project? You are under time pressure and want to avoid cumbersome hardening times of the concrete? We have an innovative solution for you! The „Steel-Root“ foundation by BFtec saves time and costs and provides enormous stability. Use our newest innovation for your foundations and take advantage of it for the implementation of your projects.

Adjusted stability! We adapt the Steel-Root-foundation-system individually to your project and also deliver the static calculations if requested. The Steel-Root foundation can be used under the most different ground conditions. Our foundation system delivers the maximum safety, particularly under difficult ground.

The Steel-Root  
can be used for ...



... Transmitters



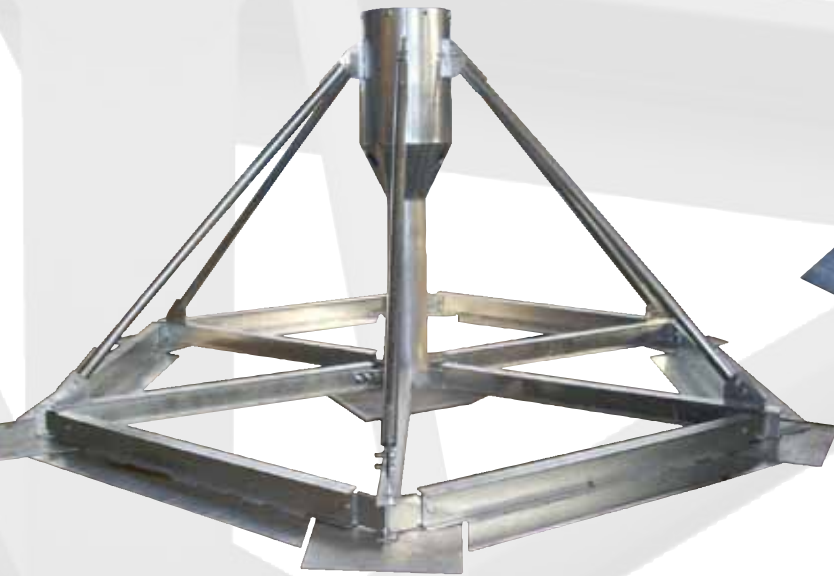
... Wind power units



... Photovoltaic units

# Individuality ... ... for your project

We deliver the Steel-Root directly adapted to your project!



## Further advantages:

- No ground sealing
- Easy re-assembly
- No construction of roads required for installation
- re-usable materials
- low technical requirements during assembly

## Individually produced ... ... quickly installed!

1



Because of a compact bundling and intelligent packaging, delivery and transport can be implemented without difficulty.

2



Quick assembly and easy handling! The Steel-Root-foundation-system can be put together in just a few installation steps.

3



Putting the Steel-Root into a suitable excavation pit. The advantage here is that the excavated earth is filled in again later and compacted in layers. No time consuming removal is necessary!

4



Only a few liters of concrete are enough to create a reinforced joint with the pillar of your building object, for example. The correct alignment can take place quickly, without complications!

**Feel free to contact us:**

We would be glad to personally answer questions on our Steel-Root-foundation-system or to provide information on up-to-date reference objects.



BFtec GmbH

Parkstraße 2

36269 Philippsthal

Tel.: + 49 (0) 6620-91 80 40

Fax: + 49 (0) 6620-91 80 420

E-Mail: [info@BFtec.de](mailto:info@BFtec.de)

Web: [www.BFtec.de](http://www.BFtec.de)

